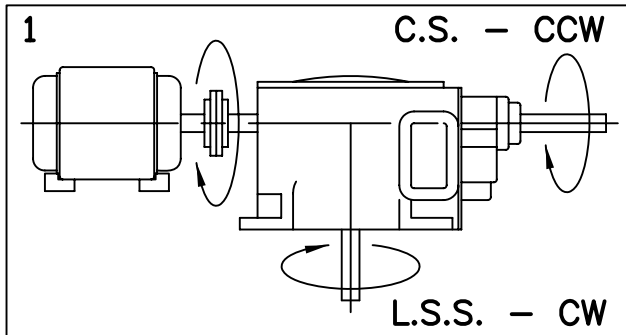


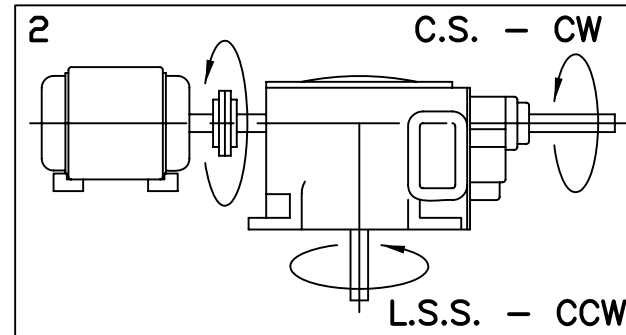
**A.P. Clutch Rotation Selection Table**  
**Showing Relationship between clutch rotation & low speed shaft rotation when clutch is driving.**

Low speed shaft rotation viewed from top of unit.  
 Clutch rotation viewed from clutch drive shaft extension.  
 C.S. = Clutch shaft extension.

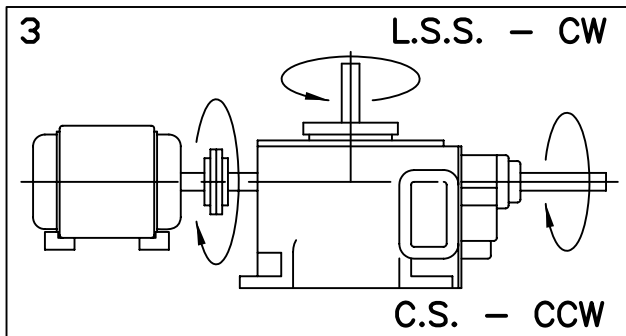
**3 & 5 Air Preheater Reducer  
 Triple Reduction**



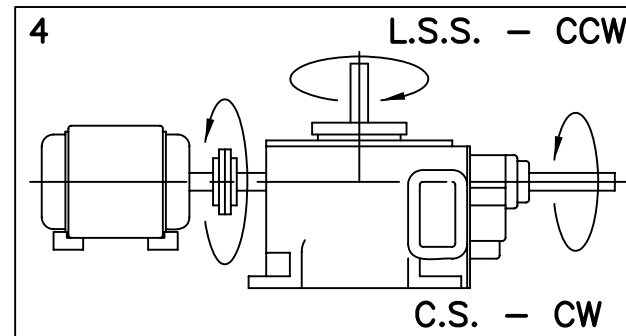
**Down Shaft**



**Down Shaft**



**Up Shaft**



**Up Shaft**