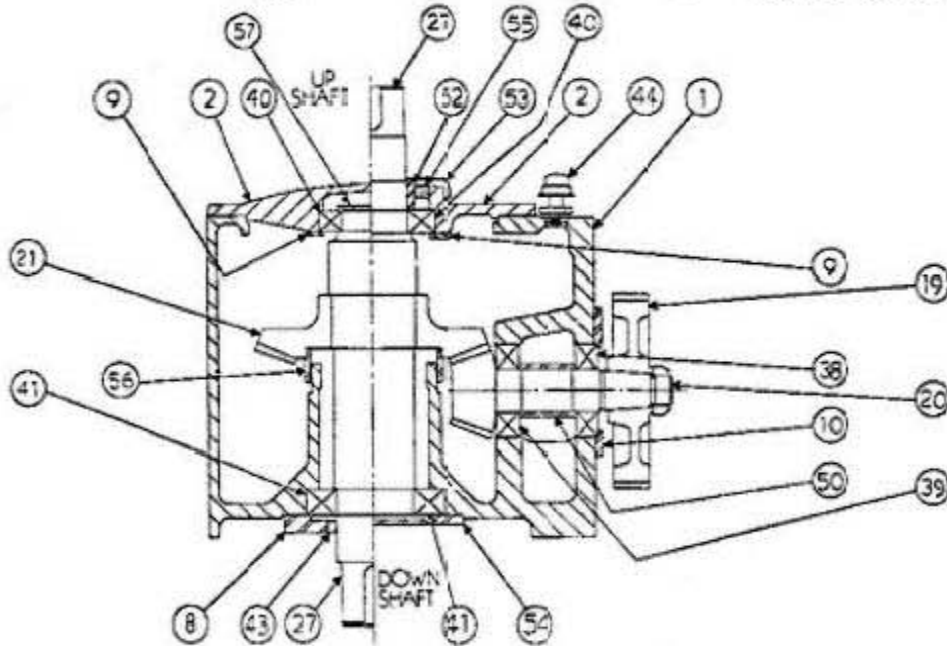
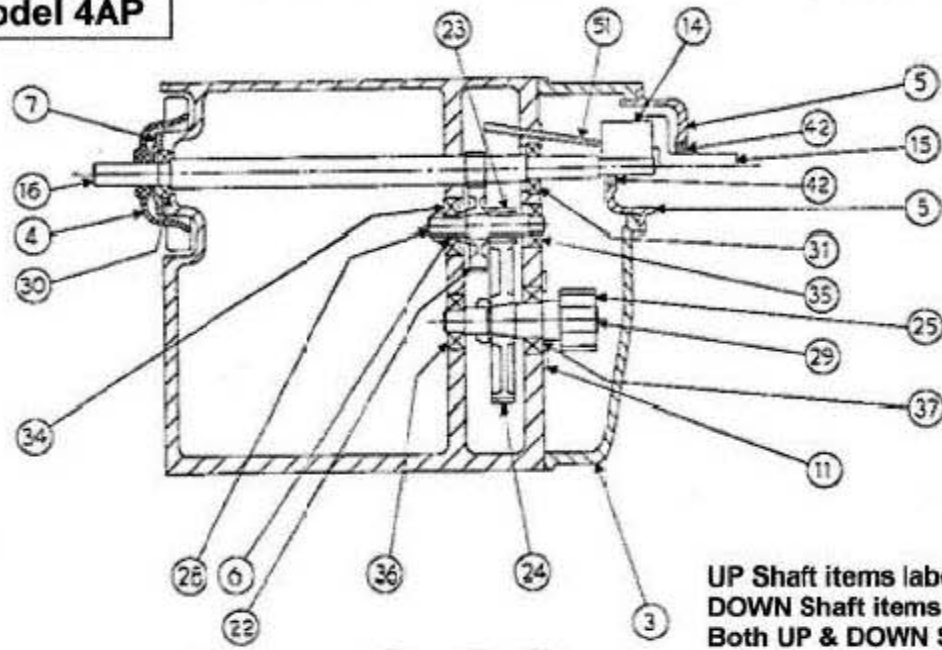


# Model 4AP



| Ref No. | Part Number | Description                |
|---------|-------------|----------------------------|
| 1       | 503499      | Housing                    |
| 2A      | 315405      | Bearing Cage               |
| 2B      | 312623      | Bearing Cage               |
| 3       | 312647      | Change Gear Cover          |
| 4       | 312669      | Fan                        |
| 5       | 219652      | Cover                      |
| 7       | 219678      | H.S. Retainer              |
| 8B      | 219960      | L.S. Retainer              |
| 8A      | 156292      | Keeper Plate               |
| 8B      | 140390      | Keeper Plate               |
| 10      | 227617      | Thrust Plate               |
| 11      | 1170995     | Thrust Plate               |
| 14      | 951300      | Over Running Clutch        |
| 15      | 219911      | Aux. H.S. Shaft Ext.       |
| 16      | 227976      | Helical Pinion Shaft       |
| 19      | 223735      | Helical Gear               |
| 20 21   | 747658      | Bevel Gear & Pinion Set    |
| 22      | 265162      | Helical Gear               |
| 23      | Ratio Gears | Helical Pinion             |
| 24      | Ratio Gears | Helical Gear               |
| 25      | 212156      | Helical Pinion             |
| 27A     | 315439      | L.S. Shaft (UP)            |
| 27B     | 313712      | L.S. Shaft (DOWN)          |
| 28      | 143032      | 1 <sup>st</sup> Int. Shaft |
| 29      | 228132      | 2 <sup>nd</sup> Int. Shaft |
| 30      | 920205      | Bearing                    |
| 31      | 920553      | Bearing                    |
| 34      | 919629      | Bearing                    |
| 35      | 919608      | Bearing                    |
| 36      | 920537      | Bearing                    |
| 37      | 919651      | Bearing                    |
| 38      | 919291      | Bearing                    |
| 39      | 920565      | Bearing                    |
| 40A     | 919279      | Bearing                    |
| 40B     | 919036      | Bearing                    |
| 41      | 912811      | Bearing                    |
| 42      | 912574      | Oil Seal                   |
| 43B     | 912811      | Oil Seal                   |
| 44      | 950027      | Air Vent                   |
| 50      | 161973      | Bearing Spacer             |
| 51      | 223009      | Oil Trough                 |
| 52A     | 156291      | Collar                     |
| 53A     | 156293      | Umbrella                   |
| 54A     | 156567      | End Cover                  |
| 55A     | 912556      | Oil Seal                   |
| 56      | 218124      | Collar                     |
| 57B     | 140231      | Keeper Plate               |
| 58      | 765757      | Shim Pack                  |

Penn Machine Company

Parts Guide  
For  
Air Preheater  
Model 4AP

Saved as ABB-4AP layout.doc  
DM 5-07-02

511338