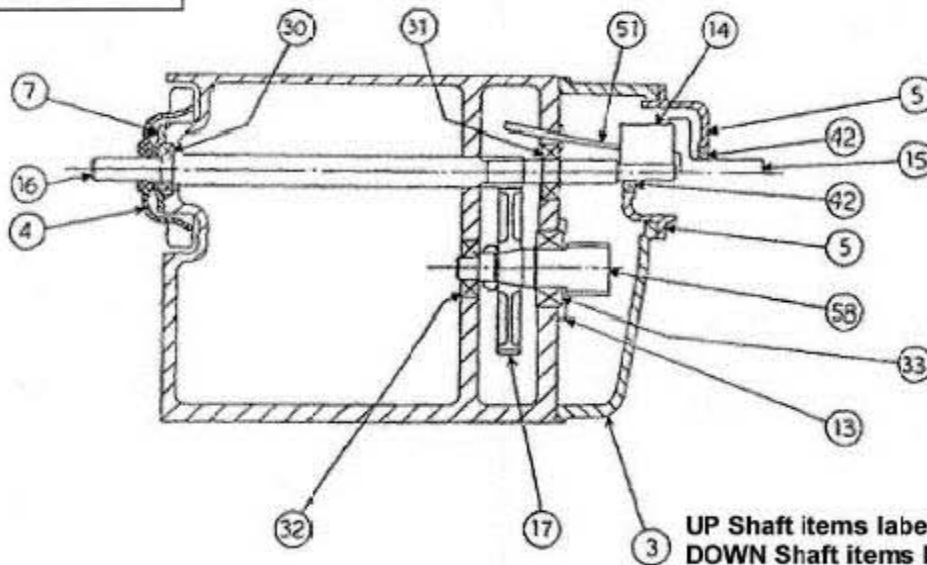
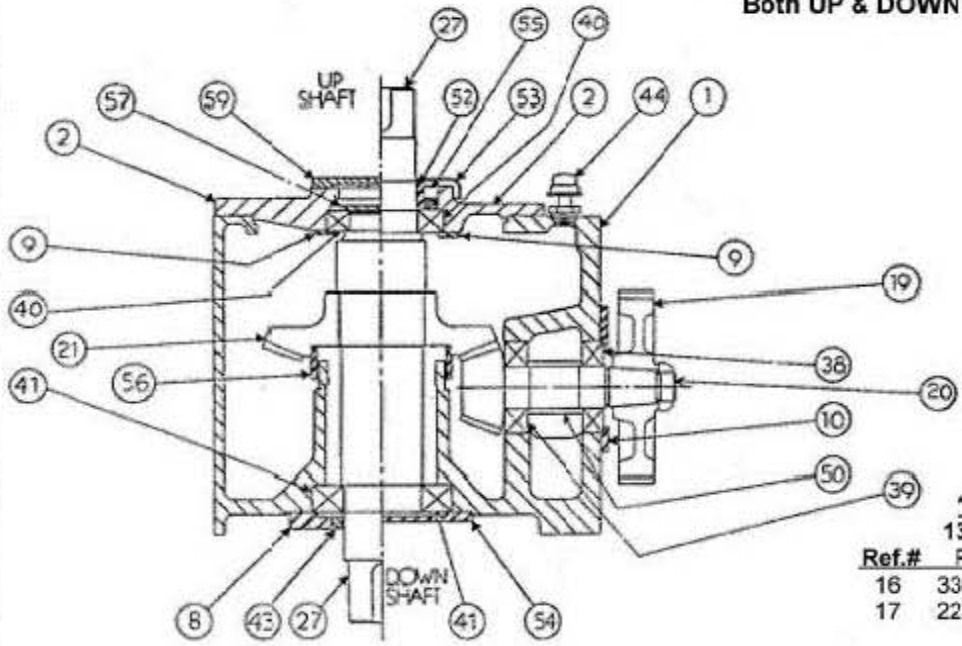


Model 5AP



UP Shaft items labeled "A"
 DOWN Shaft items labeled "B"
 Both UP & DOWN Shaft No label



Ref.#	*Total Ratio	
	P/N	P/N
	132.1	110
16	330423	330424
17	227635	232148

Ref. No.	Part Number	Description
1	502789	Housing
2	406046	Bearing Cage
3	409045	Change Gear Cover
4	312669	Fan
5	219652	Cover
7	219678	H.S. Retainer
8B	219960	L.S. Retainer
9	140698	Keeper Plate
10	178397	Keeper Plate
13	143220	Keeper Plate
14	951300	Over Running Clutch
15	219911	Aux. H.S. Shaft Ext.
16	Ratio Gears*	Helical Pinion Shaft
17	Ratio Gears*	Helical Gear
19	227698	Helical Gear
20, 21	747659	Bevel Gear & Pinion Set
27A	314854	L.S. Shaft (UP)
27B	314853	L.S. Shaft (DOWN)
30	920202	Bearing
31	919040	Bearing
32	920530	Bearing
33	919651	Bearing
38	919083	Bearing
39	919236	Bearing
40	919035	Bearing
41	920597	Bearing
42	912574	Oil Seal
43B	912811	Oil Seal
44	950027	Air Vent
50	147887	Bearing Spacer
51	223988	Oil Trough
52A	147902	Collar
53A	147901	Umbrella
54A	223989	End Cover
55A	912546	Oil Seal
56	Not Required	Oil Baffle
57	140699	Keeper Plate
58	316528	Helical Pinion Shaft
59B	223989	End Cover
60	765758	Shim Pack

Penn Machine Company

Parts Guide
 For
 Air Preheater
 Model 5AP

Saved as ABB-5AP layout.doc
 DM 5-07-02

511339